



NU 2224 ECJ

- Popular item
- SKF Explorer

Cylindrical roller bearings, single row

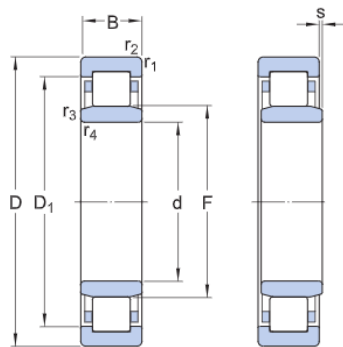
Bearing data

[Tolerances](#),
Normal (metric), P6, Normal (inch),
[Radial internal clearance](#),
cylindrical bore, tapered bore,
[Axial internal clearance](#),
NUP, NJ + HJ

Bearing interfaces

[Seat tolerances for standard conditions](#),
[Tolerances and resultant fit](#)

Technical specification

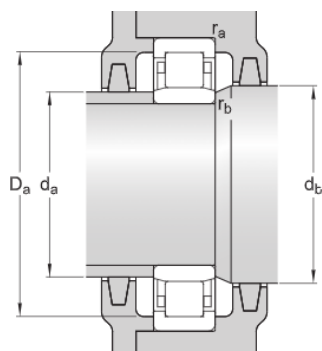


DIMENSIONS

d	120 mm	Bore diameter
D	215 mm	Outside diameter
B	58 mm	Width
D1	≈186.95 mm	Shoulder diameter of outer ring
F	143.5 mm	Chamfer dimension of loose flange ring
r1,2	min.2.1 mm	Chamfer dimension
r3,4	min.2.1 mm	Chamfer dimension
s	max.3.8 mm	Permissible axial displacement

ABUTMENT DIMENSIONS

da	min.132 mm	Diameter of spacer sleeve
da	max.140 mm	Diameter of spacer sleeve
db	min.146 mm	Diameter of shaft abutment
Da	max.201.6 mm	Diameter of housing abutment
	max.2	Radius of



ra	mm	fillet
rb	max.2 mm	Radius of fillet

CALCULATION DATA

Basic dynamic load rating	C	520 kN
Basic static load rating	C ₀	630 kN
Fatigue load limit	P _u	72 kN
Reference speed		3 400 r/min
Limiting speed		3 600 r/min
Minimum load factor	k _r	0.2
Limiting value	e	0.3
Axial load factor	Y	0.4

MASS

Mass	8.51 kg
------	---------

ASSOCIATED PRODUCTS

Angle ring	HJ 2224 EC
------------	------------